



- Features :**
- Constant voltage design
  - Universal AC input / Full range
  - Withstand 300VAC surge input for 5 seconds
  - Protections: Short circuit / Overload / Over voltage
  - Cooling by free air convection
  - Small and compact size
  - Fully encapsulated with IP67 level (Note.7)
  - Fully isolated plastic case
  - Class II power unit, no FG
  - Class 2 power unit
  - Pass LPS
  - Suitable for LED lighting and moving sign applications
  - 100% full load burn-in test
  - Low cost, high reliability

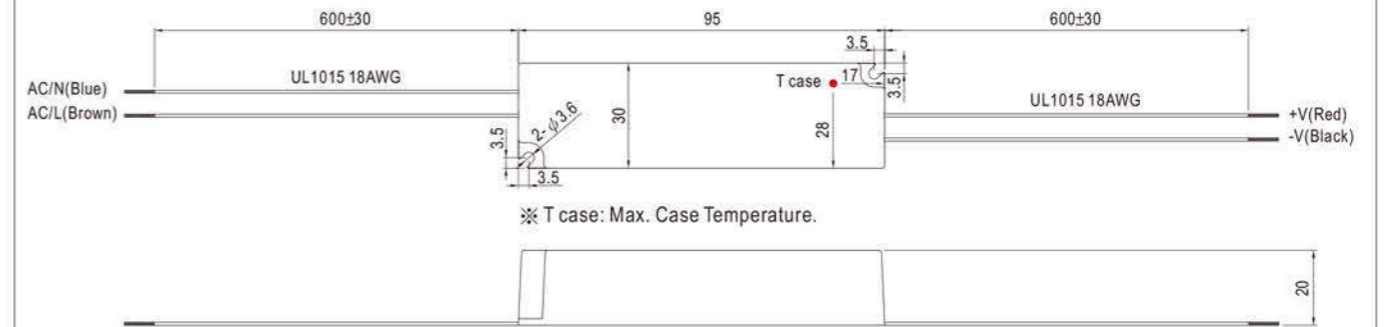


**SPECIFICATION**

MODEL	SFS-10-5	SFS-10-12	SFS-10-15	SFS-10-24	
<b>OUTPUT</b>	DC VOLTAGE	5V	12V	15V	24V
	RATED CURRENT	2A	0.83A	0.75A	0.75A
	CURRENT RANGE	0 ~ 2A	0 ~ 0.83A	0 ~ 0.75A	0 ~ 0.75A
	RATED POWER	10W	9.9W	11.25W	18W
	RIPPLE & NOISE (max.) Note.2	80mVp-p	120mVp-p	120mVp-p	150mVp-p
	VOLTAGE TOLERANCE Note.3	±5.0%			
	LINE REGULATION	±1.0%			
	LOAD REGULATION	±2.0%			
<b>INPUT</b>	SETUP, RISE TIME Note.6	500ms, 20ms / 230VAC	500ms, 20ms / 115VAC	500ms, 20ms / 115VAC	500ms, 20ms / 115VAC
	HOLD UP TIME (Typ.)	50ms/230VAC	16ms/115VAC	16ms/115VAC	16ms/115VAC
	VOLTAGE RANGE Note.4	90 ~ 264VAC	127 ~ 370VDC		
	FREQUENCY RANGE	47 ~ 63Hz			
	EFFICIENCY (Typ.)	77%	81%	83%	83%
	AC CURRENT (Typ.)	0.55A/115VAC	0.35A/230VAC		
	INRUSH CURRENT(max.)	COLD START 70A(twidth=215μs measured at 50% Ipeak) at 230VAC			
<b>PROTECTION</b>	LEAKAGE CURRENT	0.25mA / 240VAC			
	OVERLOAD	110 ~ 150% rated output power Protection type : Hiccup mode, recovers automatically after fault condition is removed			
	OVER VOLTAGE	5.75 ~ 6.75V	13.8 ~ 16V	17.5 ~ 21V	28 ~ 32V
<b>ENVIRONMENT</b>	WORKING TEMP.	-30 ~ +70°C (Refer to "Derating Curve")			
	WORKING HUMIDITY	20 ~ 90% RH non-condensing			
	STORAGE TEMP., HUMIDITY	-40 ~ +80°C, 10 ~ 95% RH			
	TEMP. COEFFICIENT	±0.03%/°C (0 ~ 50°C)			
	VIBRATION	10 ~ 500Hz, 2G 10min./1cycle, period for 60min. each along X, Y, Z axes			
<b>SAFETY &amp; EMC</b>	SAFETY STANDARDS	UL879, UL1310, CSA C22.2 No. 207-M89, CAN/CSA C22.2 No. 223-M91, IP67 approved ; design refer to TUV EN60950-1			
	WITHSTAND VOLTAGE	I/P-O/P:3KVAC			
	ISOLATION RESISTANCE	I/P-O/P:>100M Ohms / 500VDC / 25°C / 70% RH			
	EMC EMISSION	Compliance to EN55022 (CISPR22) Class B, EN61000-3-2 Class A, EN61000-3-3			
	EMC IMMUNITY	Compliance to EN61000-4-2,3,4,5,6,8,11, EN55024, light industry level, criteria A			
<b>OTHERS</b>	MTBF	786.5Khrs min. MIL-HDBK-217F (25°C)			
	DIMENSION	95*30*20mm (L*W*H)			
	PACKING	0.10Kg; 60pcs/14.2Kg/0.62CUFT			
<b>NOTE</b>	<ol style="list-style-type: none"> <li>All parameters NOT specially mentioned are measured at 230VAC input, rated load and 25°C of ambient temperature.</li> <li>Ripple &amp; noise are measured at 20MHz of bandwidth by using a 12" twisted pair-wire terminated with a 0.1uF &amp; 47uF parallel capacitor.</li> <li>Tolerance : includes set up tolerance, line regulation and load regulation.</li> <li>Derating may be needed under low input voltage. Please check the static characteristics for more details.</li> <li>The power supply is considered as a component that will be operated in combination with final equipment. Since EMC performance will be affected by the complete installation, the final equipment manufacturers must re-qualify EMC Directive on the complete installation again.</li> <li>Length of set up time is measured at first cold start. Turning ON/OFF the power supply may lead to increase of the set up time.</li> <li>Suitable for indoor use or outdoor use without direct sunlight exposure. Please avoid immerse in the water over 30 minute.</li> </ol>				

**Mechanical Specification**

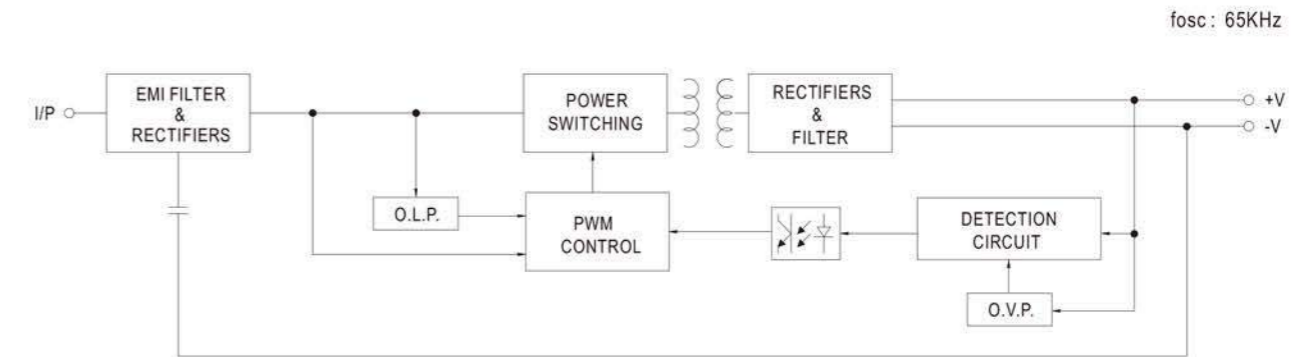
Case No. 972A Unit:mm



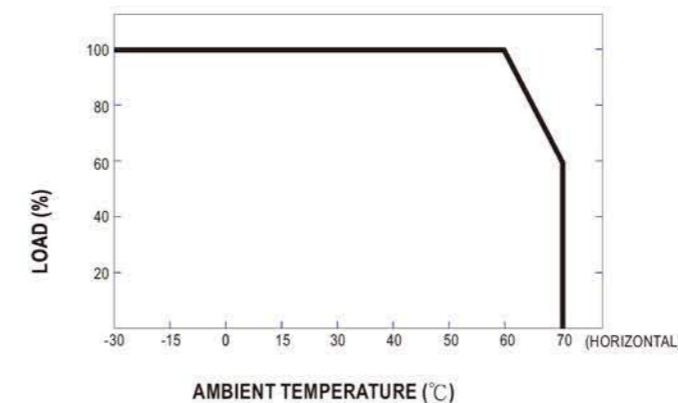
**Recommend Mounting Direction**



**Block Diagram**



**Derating Curve**



**Static Characteristics**

