

30W Single Output Switching Power Supply

30W Single Output Switching Power Supply

Features :

- Constant voltage design
- Universal AC input / Full range
- Withstand 300VAC surge input for 5 seconds
- Protections: Short circuit / Overload / Over voltage
- Cooling by free air convection
- Fully encapsulated with IP67 level (Note.9)
- Fully isolated plastic case
- Class II power unit, no FG
- Class 2 power unit
- Pass LPS
- Suitable for LED lighting and moving sign applications (Note.8)
- 100% full load burn-in test
- Low cost, high reliability

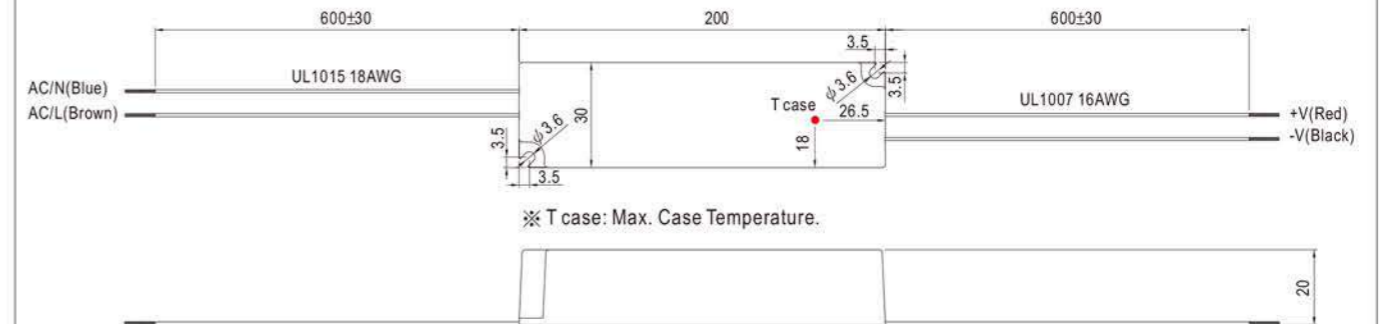


SPECIFICATION

MODEL	SFS-30-5	SFS-30-12	SFS-30-15	SFS-30-24	SFS-30-36	
OUTPUT	DC VOLTAGE	5V	12V	15V	24V	36V
	RATED CURRENT	4A	2.5A	2A	1.3A	0.84A
	CURRENT RANGE	0~4A (Note.7)	0~2.5A	0~2A	0~1.3A	0~0.84A
	RATED POWER	20W	30W	30W	30W	30W
	RIPPLE & NOISE (max.) Note.2	80mVp-p	120mVp-p	120mVp-p	150mVp-p	150mVp-p
	VOLTAGE TOLERANCE Note.3	±6.0%	±5.0%			
	LINE REGULATION	±1.0%				
	LOAD REGULATION	±4.0%	±2.0%			
INPUT	SETUP, RISE TIME Note.6	500ms, 20ms / 230VAC	500ms, 20ms / 115VAC at full load			
	HOLD UP TIME (Typ.)	50ms/230VAC	16ms/115VAC at full load			
	VOLTAGE RANGE Note.4	90~264VAC	127~370VDC			
	FREQUENCY RANGE	47~63Hz				
	EFFICIENCY (Typ.)	77%	84%	84%	85%	85%
	AC CURRENT (Typ.)	1.1A/115VAC 0.7A/230VAC				
PROTECTION	INRUSH CURRENT(max.)	COLD START 55A(twidth=510µs measured at 50% Ipeak) at 230VAC				
	LEAKAGE CURRENT	0.25mA / 240VAC				
	OVERLOAD	110~150% rated output power				
ENVIRONMENT	OVER VOLTAGE	5.75~6.75V	13.8~16.2V	17.25~20.25V	27.6~32.4V	41.4~48.6V
	WORKING TEMP.	-30~+65°C (Refer to "Derating Curve")				
SAFETY & EMC	WORKING HUMIDITY	20~90% RH non-condensing				
	STORAGE TEMP., HUMIDITY	-40~+80°C, 10~95% RH				
	TEMP. COEFFICIENT	±0.03%/°C (0~50°C)				
	VIBRATION	10~500Hz, 2G 10min./1cycle, period for 60min. each along X, Y, Z axes				
	SAFETY STANDARDS	UL1310, CAN/CSA C22.2 No. 223-M91, IP67 approved; design refer to TUV EN60950-1				
OTHERS	WITHSTAND VOLTAGE	I/P-O/P:3KVAC				
	ISOLATION RESISTANCE	I/P-O/P:>100M Ohms / 500VDC / 25°C / 70% RH				
	EMC EMISSION	Compliance to EN55022 (CISPR22) Class B, EN61000-3-2 Class A, EN61000-3-3				
	EMC IMMUNITY	Compliance to EN61000-4-2,3,4,5,6,8,11, EN55024, light industry level, criteria A				
NOTE	MTBF	743.5Khrs min. MIL-HDBK-217F (25°C)				
	DIMENSION	200*30*20mm (L*W*H)				
	PACKING	0.25Kg; 40pcs/14.6Kg/0.63CUFT				



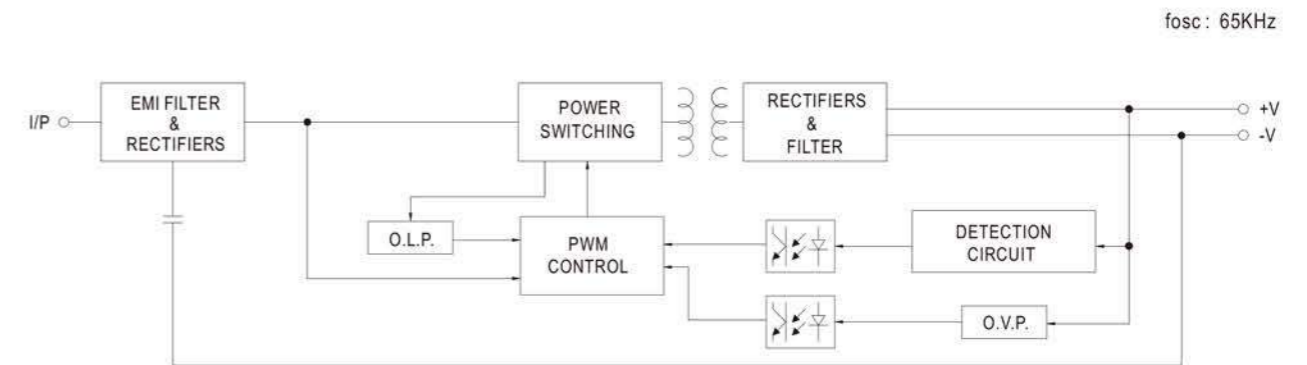
Mechanical Specification



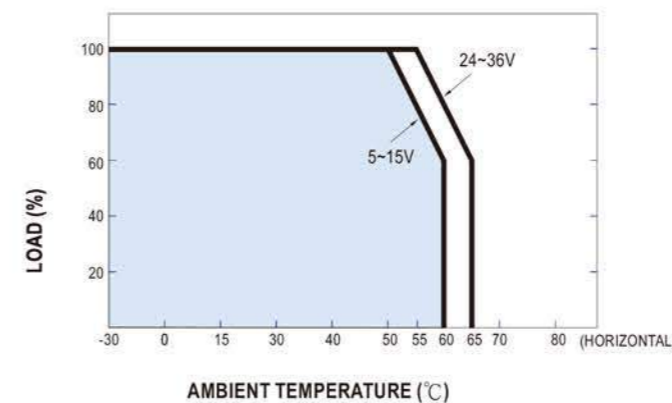
Recommend Mounting Direction



Block Diagram



Derating Curve



Static Characteristics

